

# Conical Flushing Floor Waste



Scan QR code  
to view our  
installation notes



## FFWC

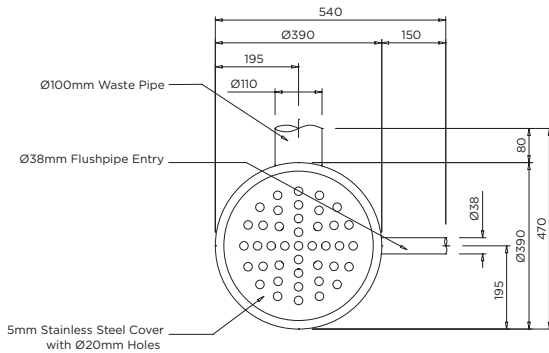
Indicative position only  
trap can face any direction  
relative to inlet pipe  
(Dropper in boot)

### Product Info:

- Watermark Certification
- Removable grate for easy cleaning
- Models to suit concrete and vinyl floors
- Supplied with adjustable stainless P trap
- Concealed internal flushing rim
- Heavy gauge stainless construction
- Suits a variety of flushing mechanisms

### To order this item please advise:

- FFWC-C: suits concrete floors
- FFWC-V: suits vinyl floors



## INSTALLATION NOTES

1) The Conical Floor Waste is designed to be installed into a floor penetration that allows the top rim to be set flush with the finished floor level, preferably at the lowest point of a grade within the floor that allows water to fall into the floor waste. 2) The flushing floor waste should be installed with the 38mm inlet pipe pointing in the general direction of the flushing water supply. 3) The 100mm waste P trap outlet can be rotated within a 360 degree radius, allowing alignment to the waste drainage pipe. 4) The P trap also has a +/-20mm vertical adjustment from the centre point of the slip joint, allowing a vertical adjustment to match the waste drainage pipe. 5) A cistern or flush valve supplied separately is required to flush the Conical Floor Waste. 6) Vinyl floor model includes a removable clamp for sealing vinyl inside the body of the waste.

